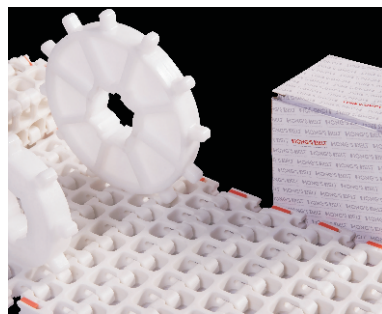
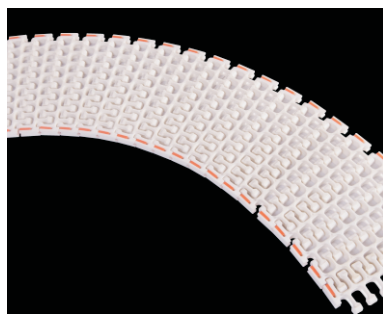
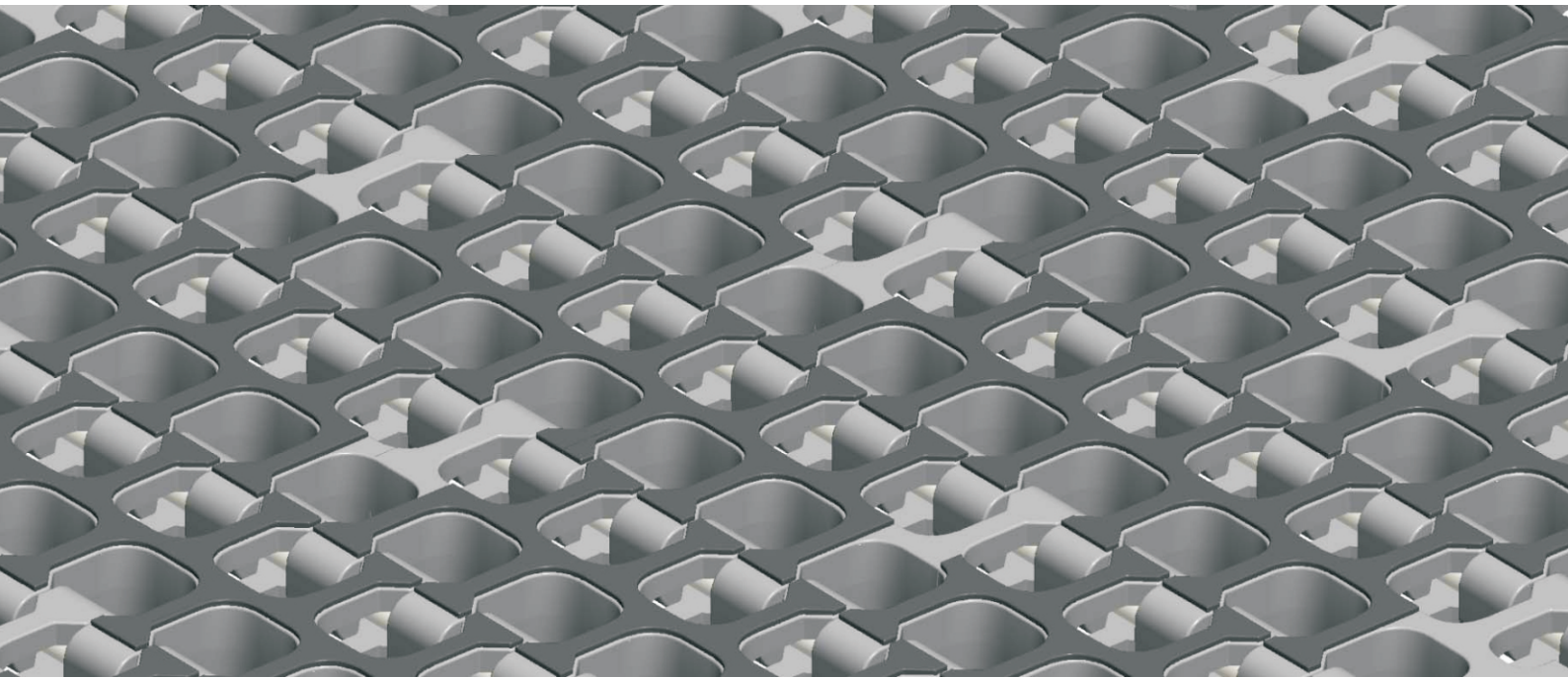


## HS-300B-EL Technical Data Sheet



Pitch: 45mm Minimum Width: 195mm Open Area: 52% Approved: FDA Rod: Ø 5.8mm Flight: No Side Guard: No Curve: Yes	
--	--

### Data

Belt Material	Belt Strength				Temperature		Belt Weight
	Straight		Curve		°C (min.)	°C (max.)	(Kg/M <sup>2</sup> )
	Kg/M(BW)	N/M(BW)	Kg/M(BW)	N/M(BW)			
Polypropylene	1870	18700	187	1870	1	70	6.8

**BW – Belt Width**

### Color Table

Polypropylene					Polyethylene					Acetal					Nylon				
W	G	N	DB	B	W	G	N	DB	B	W	G	N	DB	B	W	G	N	DB	B
●	●																		

W-White, G-Gray, N-Nature, DB-Dark brown, B-Blue

### Friction Tables

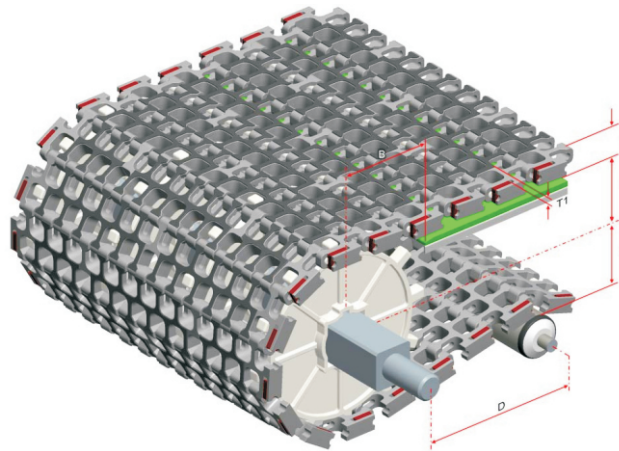
Belt Material	Friction Wearstrips & Products							
	UHMW	HDPE	Steel	Glass	SUS	Plastic	Cardboard	Aluminum
Polypropylene	0.32	0.24	0.15	0.09	0.13	0.08	0.15	0.25
Polyethylene	0.13	0.11	0.26	0.19	0.31	0.16	0.21	0.41
Acetal	0.11	0.09	0.27	0.16	0.26	0.15	0.19	0.28
Nylon	0.18	0.13	0.25	0.16	0.26	0.16	0.19	0.27

SUS - Stainless Steel

### Equivalent type with other Brand

Brand Name	Intralox	UNI	Rexnord	MCC	Habasit	KVP
Series & Type	2200	Flex-SNB	1200		2500	610
			7956		3800	

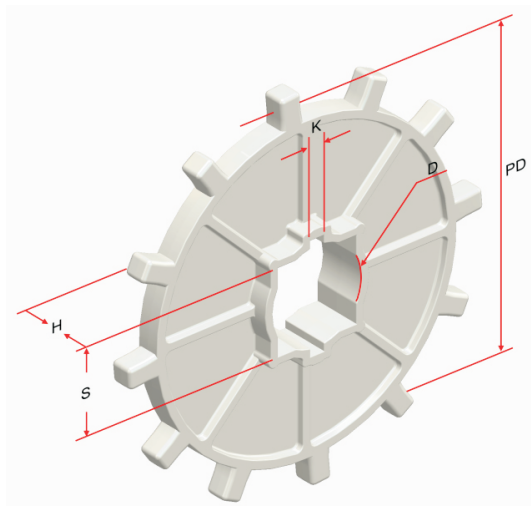
The above content is only for reference.



**Conveyor Frame Dimensions**

**Unit : mm**

No. Teeth	A ( Min.)	B ( Min.)	C ( Max.)	D ( Min.)	T	TI
8	52.5	70	49	250	15	3
12	84.7	102.2	81.2	250		

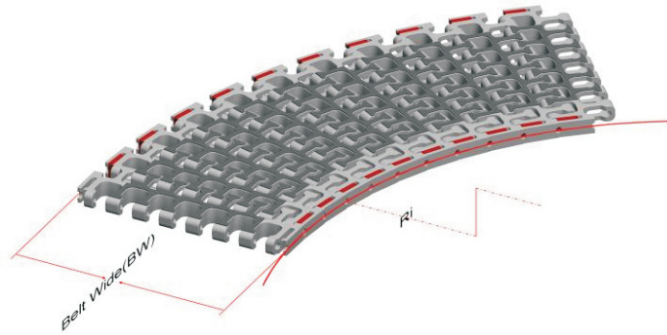


**Sprocket Dimensions**

**Unit: mm**

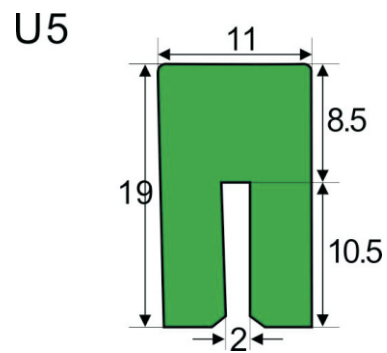
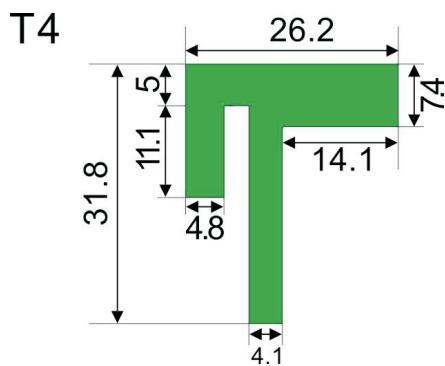
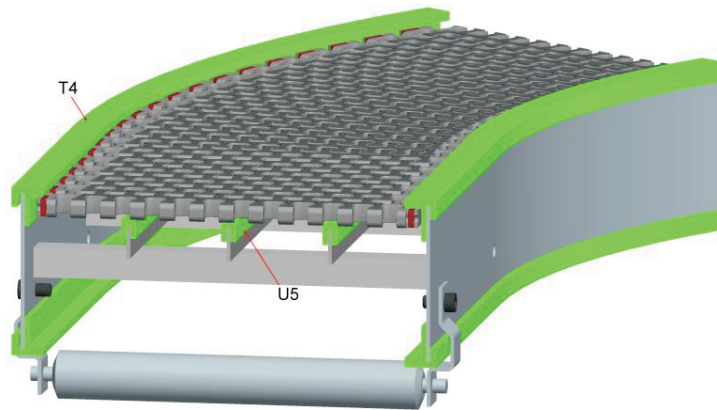
No. Teeth	PD	S	D	H	K
8	120	38.5/40.5	25.2/25.5/38.1	25	6.35X3.17
12	184.5	38.5/40.5	30.5/46.5	24	8X8

## Design Guide Summary



- ⌘ The minimum turning radius (inside) is 2.2 times of belt width under all feasible belt Width, 2.5 times of belt width is the most optimal.
- ⌘ The minimum straight run section near driving shaft and idling shaft of Radius belt must be 2 times of the belt width in length.
- ⌘ The minimum straight run section between two turns of opposing direction must be 2 times of the belt width in Length.

## Guide Rail & Wear Strips



- ⌘ We have different kinds of guide rail and wear strips for your choice; For more information, please consult our sales team.